



SLPD 20/20-64/32 DIN is a series of in-line dual flow pumps with extremely low noise levels for demanding mobile hydraulics.

SLPD 20/20-64/32 DIN comes in eight different sizes, where three models feature differentiated flows. Pumps with differentiated flow increase the field of application as they can provide three different flows: one small, one large and one combined flow. Maximum pressure is 330-350 bar depending on the model. Its slim pump housing makes direct mounting on the power take-off possible in very confined areas.

SLPD 20/20-64/32 DIN is also ideal for installation using a frame bracket via an intermediate shaft.

It is available in a version with a Savtec valve for applications where the hydraulics need to be used while the vehicle is on the move.

Other advantages:

- Independent direction of rotation
- A cost effective total solution in relation to a conventional installation using two pumps with a splitter gear box
- Smooth operation over the entire speed range
- Long life due to high demands on material selection, such as bearings, seals, etc.
- O-rings on all contact surfaces as well as double shaft seals
- Extremely low noise emission over entire speed and pressure ranges

Versions, main data

Example

SL	PD	-	46/46	W	-	N	-	DL4	-	L35	-	S4	S
Line	1		2	3		4		5		6		7	8

Line

SL	Sunfab In-Line
----	----------------

1. Type

PD	Dual flow pump
----	----------------

2. Displacement

20/20 28/28 40/20 35/35 56/28 46/46 53/53 64/32

3. Direction of rotation

W	Independent
---	-------------

4. Sealing

N	Nitrile
---	---------

5. Mounting flange

DL4	DIN 4-h (ISO 7653D)
-----	---------------------

6. Shaft

L35	DIN 5462 / ISO 14
-----	-------------------

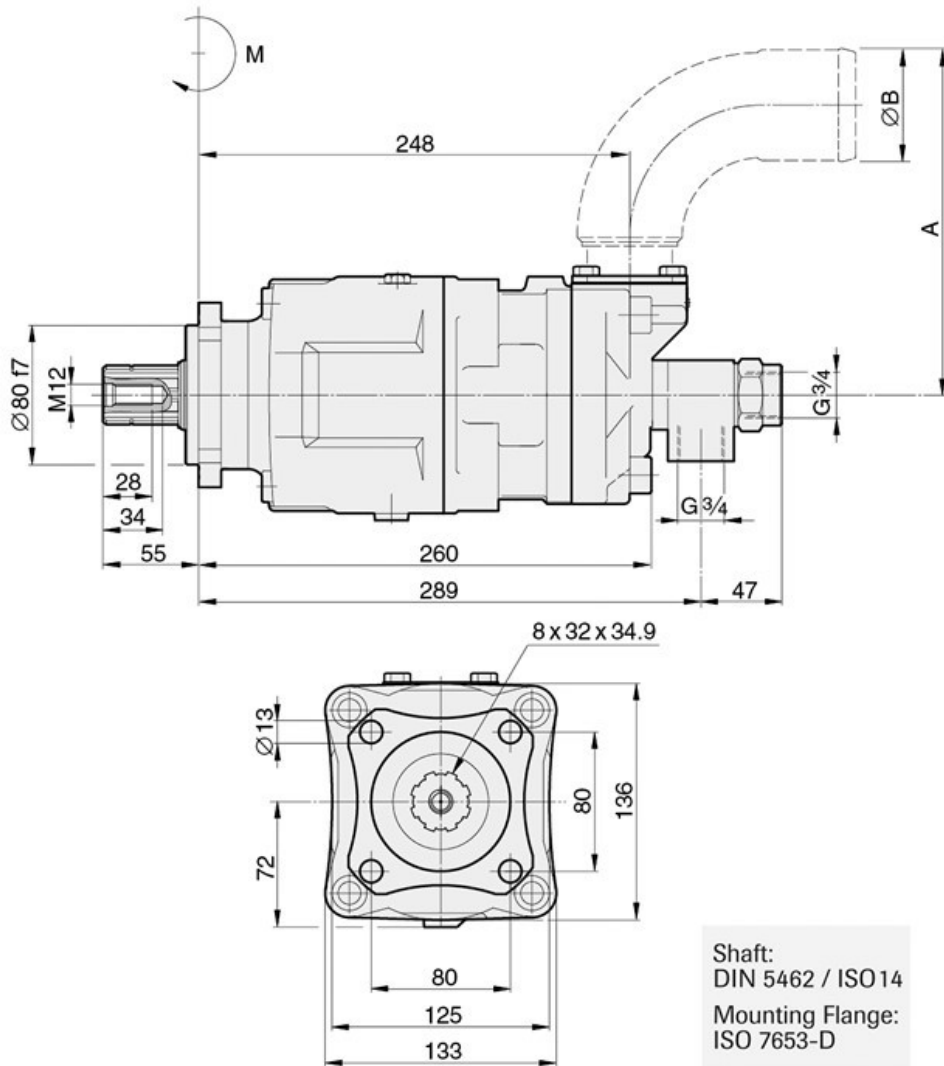
7. Connection cover

S4	Sunfab standard SLPD
----	----------------------

8. Connections

S	Sunfab standard
---	-----------------

SLPD 20/20-64/32 DIN		20/20	28/28	40/20	35/35	56/28	46/46	53/53	64/32	
Theoretical oil flow at pump speed	rpm	500	10.1 +10.1	13.7 +13.7	20.3 +10.1	16.9 +16.9	27.4 +13.7	22.9 +22.9	26.2 +26.2	31.5 +15.7
		1000	20.3 +20.3	27.5 +27.5	40.7 +20.3	33.9 +33.9	54.9 +27.5	45.8 +45.8	52.5 +52.5	63 + 31.5
		1500	30.4 +30.4	41.3 +41.3	61.0 +30.4	50.8 +50.8	82.3 +41.2	68.7 +68.7	78.7 +78.7	94.5 +47.2
Displacement	cm ³ /rev		20.3 +20.3	27.5 +27.5	40.7 +20.3	33.9 +33.9	54.9 +27.5	45.8 +45.8	52.5 +52.5	63.0 +31.5
Max pump speed	rpm		2200	1800	2200	2200	1800	1800	1600	1600
Max working pressure	bar		350	350	350	330	350	330	330	350
Weight	kg		22.0	22.0	22.0	22.0	22.0	22.0	22.0	22.0
Dimensioner	mm	A	133	133	133	133	166	166	166	166
Min. dimensioner		B	50	50	50	50	64	64	64	64
Tare-weight torque (M)	Nm		26.5	26.5	26.5	26.5	26.5	26.5	26.5	26.5
Direction of rotation			Independent							





WARNING!

When the pump is running:

1. Do not touch the pressure hose
2. Watch out for rotating parts
3. The pump and hoses may be hot

Sunfab reserves the right to make changes in design and dimensions without notice. Printing and typesetting errors reserved.

© Copyright 2021 Sunfab Hydraulics AB. All Rights Reserved.