



**SLPD 20/20-64/32 DIN Savtec is equipped with a shut-off valve, this makes it possible to control so that oil only feeds when required.**

SLPD 20/20-64/32 DIN Savtec's valve is available as pneumatic remote control. The signal is obtained from a panel switch or automatically from, e.g. the parking brake, pressure sensor or diode gate.

#### **Other advantages:**

- Independent direction of rotation
- A cost effective total solution in relation to a conventional installation using two pumps with a splitter gear box
- Smooth operation over the entire speed range
- Long life due to high demands on material selection, such as bearings, seals, etc.
- O-rings on all contact surfaces as well as double shaft seals eliminate oil leakage from the pump and power takeoff
- Extremely low noise emission over entire speed and pressure ranges
- The Savtec valve can also be used as an emergency stop

## Versions, main data

SL	PD	-	46/46	W	-	N	-	DL4	-	L35	-	S4	S	-	4
Line	1		2	3		4		5		6		7	8		9

### Line

SL	Sunfab In-Line
----	----------------

### 1. Type

P	Dual flow pump
---	----------------

### 2. Displacement

20/20	28/28	40/20	35/35	56/28	46/46	53/53	64/32
-------	-------	-------	-------	-------	-------	-------	-------

### 3. Direction of rotation

W	
---	--

### 4. Shaft seal

V*	FPM
----	-----

\*Can withstand higher temperature, e.g. on engine PTO.

### 5. Mounting flange

DL4	DIN 4-h (ISO 7653D)
-----	---------------------

### 6. Shaft

L35	DIN 5462 / ISO 14
-----	-------------------

### 7. Connection cover

S4	Sunfab standard SLPD
----	----------------------

### 8. Connections

S	Sunfab standard
---	-----------------

### 9. Additional

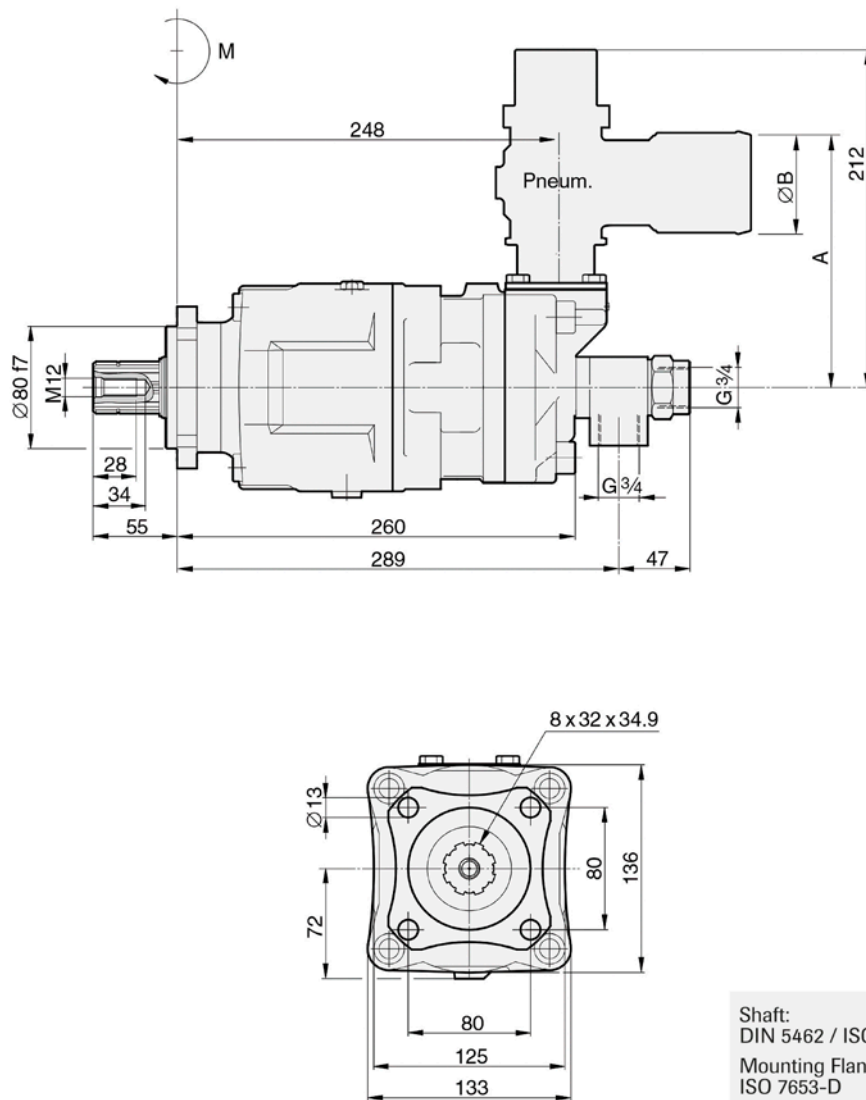
4	Savtec
---	--------

SLPD 20/20-64/32 DIN SAVTEC	20/20	28/28	40/20	35/35	56/28	46/46	53/53	64/32	
<b>Theoretical oil flow l/min at pump speed</b>									
rpm	500	10+10=20	14+14=28	20+10=30	17+17=34	27+14=41	23+23=46	26+26=52	32+16=48
	1000	20+20=40	28+28=56	41+20=61	34+34=68	55+28=83	46+46=92	53+53=106	63+32=95
	1500	31+31=62	41+41=82	61+31=92	51+51=102	82+41=123	69+69=138	79+79=158	95+47=142
<b>Displacement</b>									
cm <sup>3</sup> /rev		20.4+20.4	27.5+27.5	40.7+20.4	33.9+33.9	54.9+27.5	45.8+45.8	52.6+52.6	63.1+31.5
<b>Max pump speed</b>									
rpm		2200	1800	2200	2200	1800	1800	1600	1600
<b>Max pump speed, relieved</b>									
rpm		3000	2500	3000	3000	2500	2500	2500	2500
<b>Max working pressure</b>									
bar		350	350	350	330	350	330	330	350
<b>Weight</b>									
kg		23.5	23.5	23.5	23.5	23.5	23.5	23.5	23.5
<b>Tare-weight torque (M)</b>									
Nm		29.5	29.5	29.5	29.5	29.5	29.5	29.5	29.5
<b>Direction of rotation</b>									
Independent									

Maximum pressure combined with maximum speed is only allowed during intermittent operation (max. 6 sec/min)

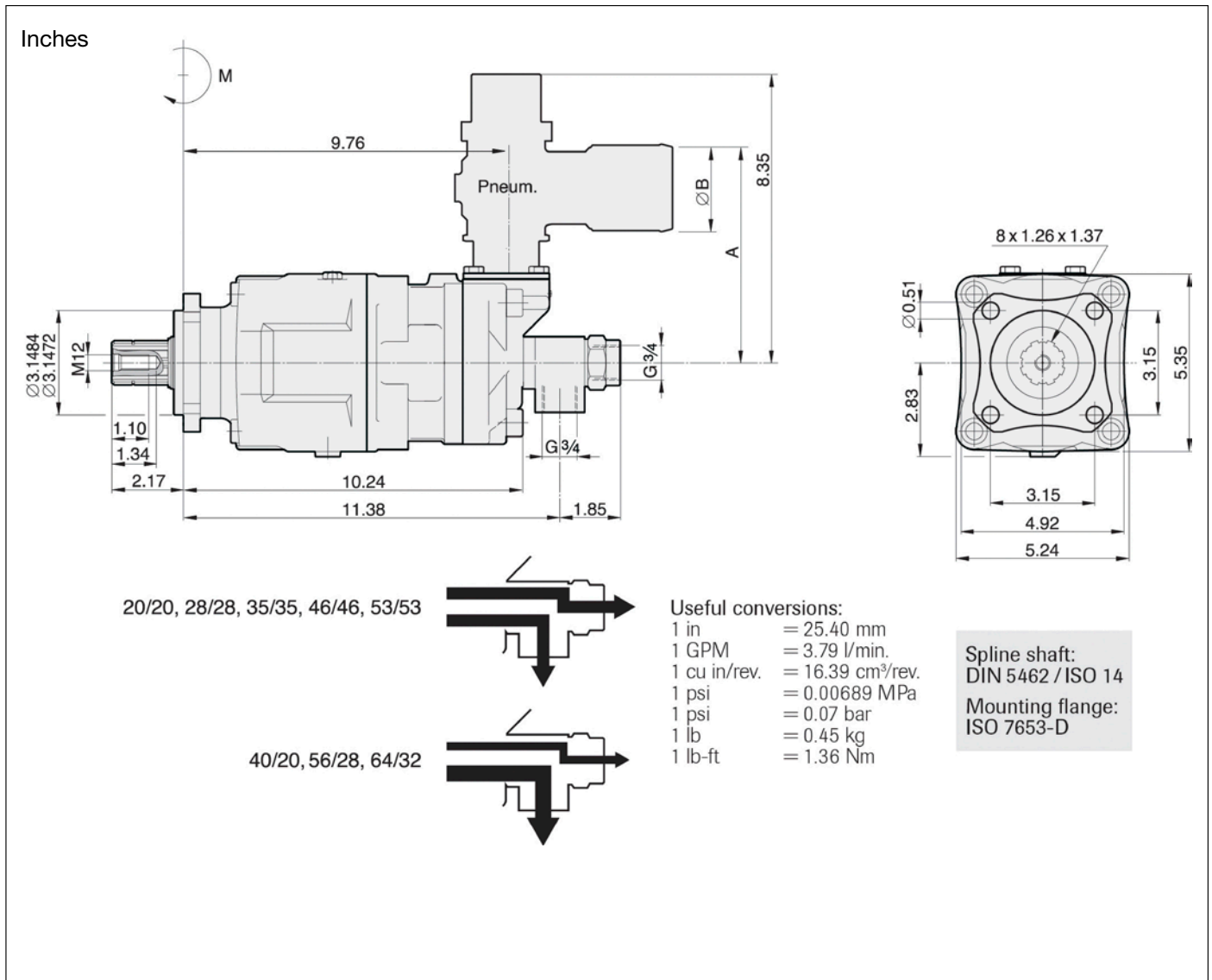
## Dimensions SLPD 20/2064/32 DIN SAVTEC

Millimeter



	20/20	28/28	40/20	35/35	56/28	46/46	53/53	64/32
A	133	133	133	133	166	166	166	166
B	50	50	50	50	64	64	64	64

## Dimensions SLPD 20/2064/32 DIN SAVTEC



	20/20	28/28	40/20	35/35	56/28	46/46	53/53	64/32
A	5.24	5.24	5.24	5.24	6.54	6.54	6.54	6.54
B	2.0	2.0	2.0	2.0	2.5	2.5	2.5	2.5



**WARNING!**

When the pump is running:

1. Do not touch the pressure hose
2. Watch out for rotating parts
3. The pump and hoses may be hot

Sunfab reserves the right to make changes in design and dimensions without notice. Printing and typesetting errors reserved.

© Copyright 2023 Sunfab Hydraulics AB. All Rights Reserved.