



SCPD 56/26 DIN is a dual flow pump with two separate flows of different sizes.

SCPD 56/26 DIN provides 56.0 and 26.0 cm³/rev. and supports a maximum working pressure of 400 bar. It can effectively be directly mounted on gear boxes equipped with engageable and disengageable power take-offs. It is speed optimised and therefore supplied for either left (L) or right (R) rotation direction.

Other advantages:

- High self-priming speed
- Constant low noise level
- Long life due to high demands on material selection, such as bearings, seals, etc.
- O-rings on all contact surfaces as well as double shaft seals eliminate oil leakage from the pump and power take-off

Versions, main data

SC	PD	-	56/26	L	-	V	-	DL4	-	L35	-	S0	S	-	2	00
Line	1		2	3		4		5		6		7	8		9	10

Line	SC	Sunfab Compact, bent-axis design
------	----	----------------------------------

1. Type	P	Dual flow pump
---------	---	----------------

2. Displacement		56/26
-----------------	--	-------

3. Direction of rotation	R	Right
	L	Left

4. Shaft seal	V	FPM
---------------	---	-----

5. Mounting flange	DL4	DIN 4-h (ISO 7653D)
--------------------	-----	---------------------

6. Shaft	L35	DIN 5462 / ISO 14
	H35	DIN 5462 / ISO 14 Ø 8.15

7. Connection cover	S0	40° Sunfab standard
---------------------	----	---------------------

8. Connections	S	Sunfab standard
----------------	---	-----------------

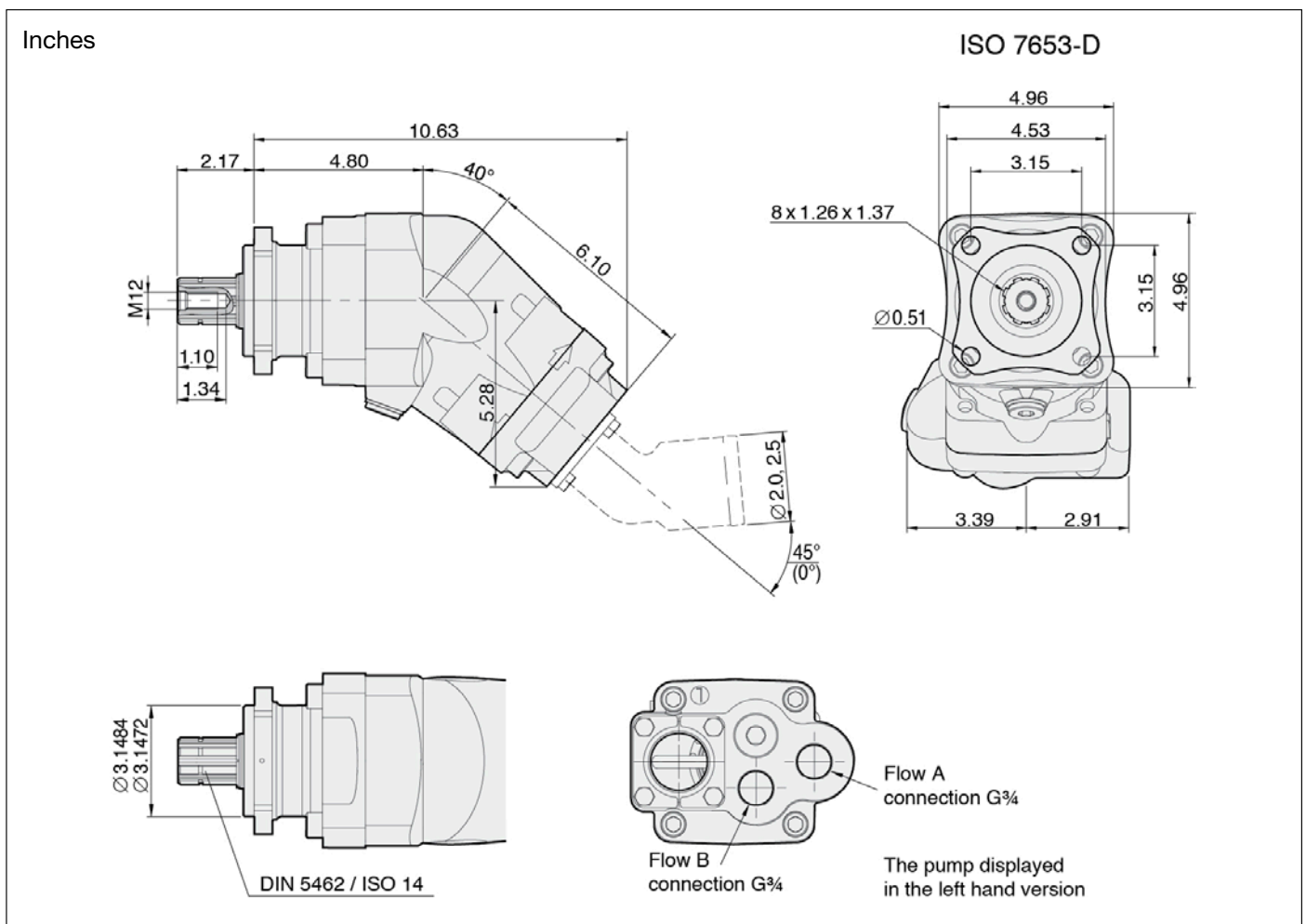
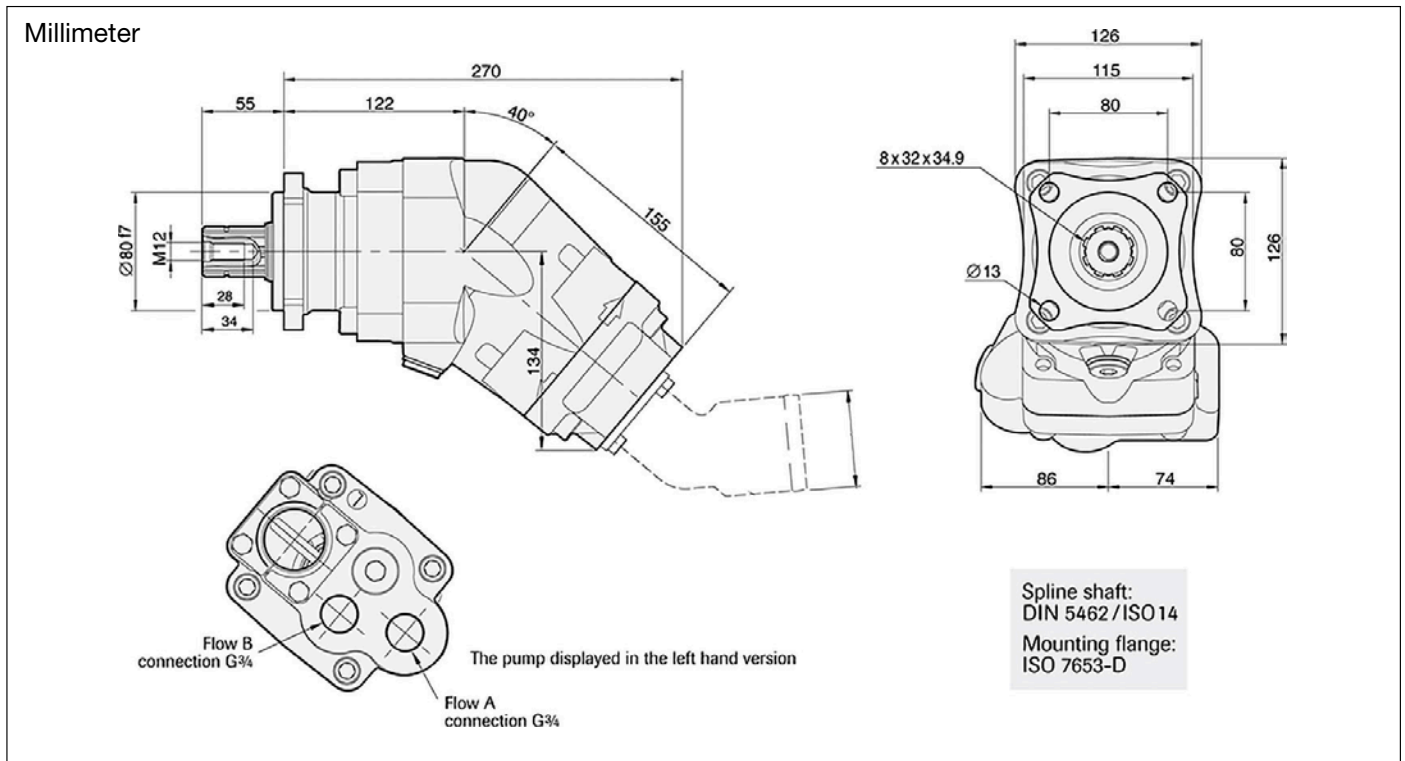
9. Additional	2	Optimised
---------------	---	-----------

10. Accessories	00	No accessories available
-----------------	----	--------------------------

SCPD 56/26 DIN

Theoretical oil flow, A+B at pump speed				
rpm	600	l/min		
	1000	34+16=50		
	1200	56+26=82		
	1500	67+31=98		
	1800	84+39=123		
		101+47=148		
Displacement				
cm ³ /rev		56.0+26.1		
Max pump speed				
rpm		1850		
Max working pressure				
bar		400		
Weight				
kg		18.0		
Tare-weight torque (M)				
Nm		21.0		
Theoretical power at pressure and pump speed				
rpm		200 Bar	300 Bar	400 Bar
	600	11.2+5.2=16.4 kW	16.8+7.8=24.6 kW	22.4+10.4=32.8 kW
	1200	22.4+10.4=32.8 kW	33.6+15.6=49.2 kW	44.8+20.8=65.6 kW
	1800	33.6+15.6=49.2 kW	50.4+23.4=73.8 kW	67.2+31.2=98.4 kW
Nominal torque on pump shaft at different pressures				
		200 Bar	300 Bar	400 Bar
		178+83=261 Nm	267+124=391 Nm	356+165=521 Nm
Direction of rotation				
Left (L) or Right (R)				

Dimensions SCPD 56/26 DIN





WARNING!

When the pump is running:

1. Do not touch the pressure hose
2. Watch out for rotating parts
3. The pump and hoses may be hot

Sunfab reserves the right to make changes in design and dimensions without notice. Printing and typesetting errors reserved.

© Copyright 2023 Sunfab Hydraulics AB. All Rights Reserved.